

THE RAISING POWER



MX – TX

The TX series stackers are characterized by manual traction and electrohydraulic lifting technology. These stackers are very steady and are suitable for lifting very heavy loads safely. Version 12 (1.2 t) includes polyurethane wheels as standard to reduce

Description			
1.1	Manufacturer		LIFTER
1.3	Drive (Manual/Electric)		MANUAL
1.4	Operator type (Pedestrian/Standing)		PEDESTRIAN
1.5	Load capacity	Q kg	500
1.6	Load centre distance	c mm	600
1.8	Load distance, center or drive axle to fork	x mm	800
1.9	Wheel base	y mm	1240

Weight			
2.1	Service weight, W/O platform - battery included	kg	185
2.1	Service weight, With platform - battery included	kg	NOT APPLICABLE
2.2	Axle load, laden front	kg	202
2.2	Axle load, laden rear	kg	483
2.3	Axle load, unladen front	kg	113
2.3	Axle load, unladen rear	kg	72

Tyres/Chassis			
3.1	Tyres: traction wheel - Front		NOT APPLICABLE
3.1	Tyres: stabilizers wheels - Front		NYLON
3.1	Tyres: rear wheels		NYLON
3.2	Tyre size: Traction wheel front - Diameter	mm	NOT APPLICABLE
3.2	Tyre size: Traction wheel front - Width	mm	NOT APPLICABLE
3.3	Tyre size: rear wheels - Diameter	mm	80
3.3	Tyre size: rear wheels - Width	mm	70
3.3	Tyre size: rear wheels - Q.ty	nr	2
3.4	Tyre size: stabilizers wheels front - Diameter	mm	150
3.4	Tyre size: stabilizers wheels front - Width	mm	40
3.4	Tyre size: stabilizers wheels front - Q.ty	nr	2
3.6	Tread, front	b10 mm	600
3.7	Tread, rear	b11 mm	380

Dimensions				
4.2	Height, mast lowered	h1	mm	1490
4.3	Normal free lifting	h2	mm	910
4.4	Lift height	h3	mm	910
4.5	Height, mast extended	h4	mm	1490
4.6	Initial lift	h5	mm	NOT APPLICABLE
4.9	Height of tiller in drive position min/max	h14	mm	1090
4.15	Height, lowered	h13	mm	90
4.19	Overall length	l1	mm	1690
4.19	Overall length with lowered platform (Optional LX-FX series)	l1	mm	NOT APPLICABLE
4.19	Overall length with raised platform (Optional LX-FX series)	l1	mm	NOT APPLICABLE
4.20	Length to face of forks	l2	mm	540
4.20	Length to face of forks with lowered platform	l2	mm	NOT APPLICABLE
4.20	Length to face of forks with raised platform	l2	mm	NOT APPLICABLE
4.21	Overall width	b1	mm	740
4.22	Fork dimensions - Thickness	s	mm	60
4.22	Fork dimensions - Width	e	mm	170
4.22	Fork dimensions - Length	l	mm	1150
4.24	Fork carriage width	b3	mm	550
4.25	Distance between fork arms	b5	mm	550
4.26	Distance between legs	b4	mm	NOT APPLICABLE
4.32	Ground clearance, centre of wheelbase	m2	mm	30
4.34	Aisle width	Ast	mm	2166
4.34	Aisle width with lowered platform (Optional for LX-FX series)	Ast	mm	NOT APPLICABLE
4.34	Aisle width with raised platform (Optional for LX-FX series)	Ast	mm	NOT APPLICABLE
4.35	Turning radius	Wa	mm	1400
4.35	Turning radius with lowered platform (Optional for LX-FX series)	Wa	mm	NOT APPLICABLE
4.35	Turning radius with raised platform (Optional for LX-FX series)	Wa	mm	NOT APPLICABLE

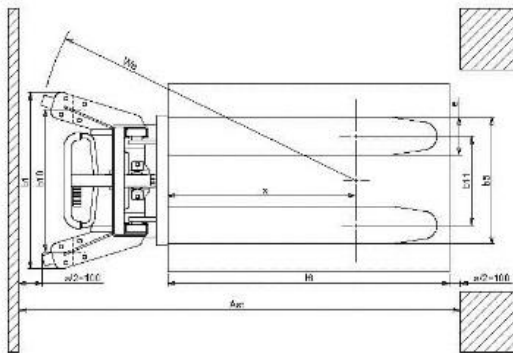
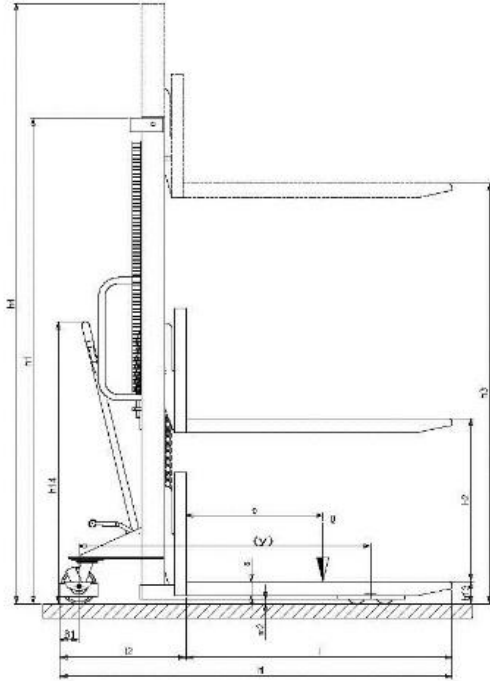
Performance data

5.1	Travel speed laden	km/h	NOT APPLICABLE
5.1	Travel speed unladen	km/h	NOT APPLICABLE
5.1	Travel speed laden with platform in raised position or with raised forks (Optional for LX-FX series)	km/h	NOT APPLICABLE
5.1	Travel speed unladen with platform in raised position or with raised forks (Optional for LX-FX series)	km/h	NOT APPLICABLE
5.2	Lifting speed laden	m/s (STROKES)	37
5.2	Lifting speed unladen	m/s (STROKES)	37
5.3	Lowering speed laden	m/s	0.16
5.3	Lowering speed unladen	m/s	0.05
5.8	Max gradeability laden	%	NOT APPLICABLE
5.8	Max gradeability unladen	%	NOT APPLICABLE
5.10	Service brake		NOT APPLICABLE

Electric motors

6.1	Drive motor power	kW	NOT APPLICABLE
6.2	Lift motor power	kW	NOT APPLICABLE
6.4	Battery voltage	V	NOT APPLICABLE
6.4	Battery capacity, Min	Ah	NOT APPLICABLE
6.4	Battery capacity, Max	Ah	NOT APPLICABLE
6.5	Battery weight, Min	kg	NOT APPLICABLE
6.5	Battery weight, Max	kg	NOT APPLICABLE
6.6	Energy consumption according to VDI cycle	kWh/h	NOT APPLICABLE
8.4	Sound level at driver's ear	dB (A)	NOT APPLICABLE

Integrated battery and battery charger



LIFTER Srl

Località Il Piano
53031 Casole d'Elsa (SI)
Tel. +39 0577 965376
Fax +39 0577 947874
www.lifter.it - info@lifter.it



Publishing date: 24/01/13

©2012 | PR INDUSTRIAL s.r.l. | All rights reserved | Image shown may not reflect actual package. Specifications subject to change without notice | ENERGY GENERATION is registered trademarks of PR INDUSTRIAL s.r.l. Other company, product or service names may be trademarks or service marks of others. RevA (06/2012).

