

COMBiLiFT
LIFTING INNOVATION

Combi-CS
Counterbalanced Stacker



COMBiLiFT.com

Specification

REF	DESCRIPTION	Standard
1	Max. Lift Height	2500mm
2	Height Mast Closed	1875mm
3	Max. (Mast raised)	3150mm
4	Overall Length	1930mm
5	Ground Clearance Under Mast	80mm
6	Ground Clearance to Centre of Wheelbase	50mm
7	Width	890mm
8	Outside Spread of Fork Arms	620mm
9	Track Front	745mm
10	Load Centre Distance	500mm
11	Overhang Front	955mm
12	Wheelbase	800mm
13	Overhang Back	175mm
14	Length From Face of Fork	1050mm
15	Fork Backward Tilt	5°
16	Fork Forward Tilt	2°
17	Minimum Outside Radius	975mm
A	Capacity	1000kg to 2500mm High
B	Unladen Weight	2150kg
C	Maximum Ground Speed	6km/h
D	Gradeability	5%
E	Battery Capacity	24V / 375Ah
F	Fork Section	35mm x 100mm x 950mm
G	Front Tyre (Polyurethane)	OD 150mm / Width 55mm
H	Rear Tyre (Vulkollan)	OD 250mm / Width 75mm
I	Standard Colour	Yellow & Grey
J	AC Electric Traction Motor	24V / 1.5kW
K	AC Electric Pump Motor	24V / 5kW

Counterbalanced Stacker

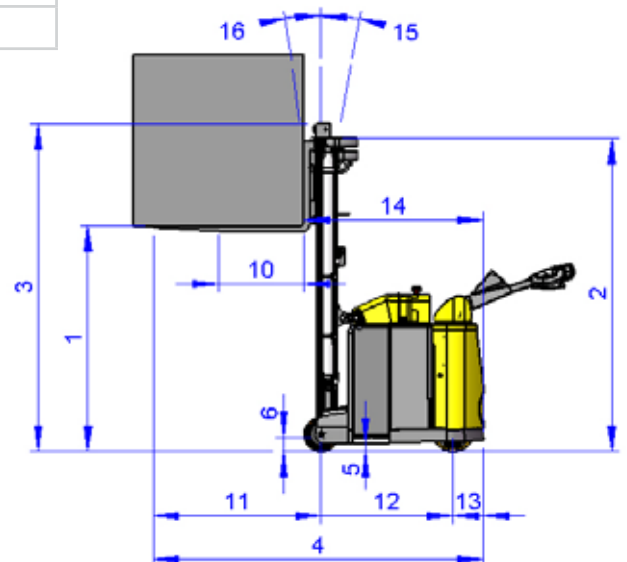
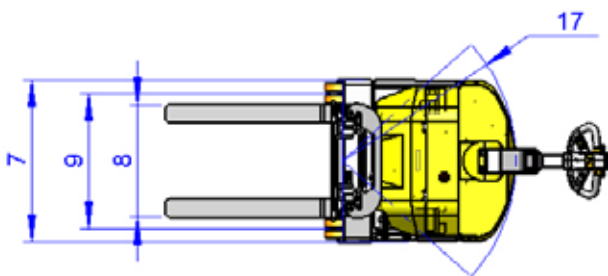
Combi-Counterbalanced Stacker (Combi-CS), with a load capacity of 1000kg @ 500mm, can work in the smallest operating aisles.

Equipped with our patented multi-position tiller arm the Combi-CS offers safer operation, maximum operator visibility and narrow aisle performance.



Features Include

- Power Steering
- AC Motor Technology
- Rear Wheel Drive
- International Application No. PCT/EP2012/067238 Multi Position Tiller



Combi-CS