

FB10-15K RT PAC

Specification • **Electric Counter
balance**

3 Wheel • **1.0 - 1.5**

FB10K RT PAC
FB13K RT PAC
FB15K RT PAC

| | | |
|-----|--|---|
| 1. | FB10-15K RT PAC Standard configuration | 2 |
| 2. | Noise and Vibrations | 3 |
| 3. | Mast availability chart | 3 |
| 4. | Option availability chart | 4 |
| 5. | Forks and Carriages | 5 |
| 6. | Wheels | 6 |
| 7. | Ground pressure | 6 |
| 8. | Battery Dimensions | 6 |
| 9. | BATTERIES AND CHARGERS COMBINATION | 7 |
| 10. | Mast capacity charts | 8 |

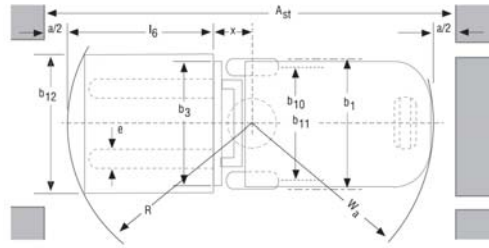
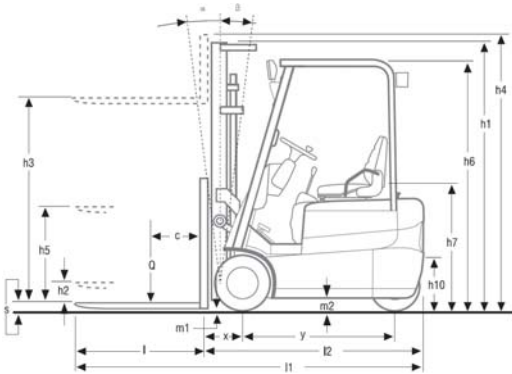


1. FB10-15K RT PAC STANDARD CONFIGURATION

3 - Wheel chassis, 24 Volt, rear-wheel drive, PM-1000 AC - control system, 5,0 kW AC traction motor, 6,5 kW AC hydraulic motor, Pneumatic shaped solid tires (Super Elastic), Full suspension vinyl seat, Tilttable steering column, Hydraulic levers by driver side, Work lights (2 front & 1 rear) 24V / 50W, Electronic backup alarm, 2 Way hydraulic valve, Integrated Presence System (IPS)

| Characteristics | | | | | | |
|---------------------|---|----------------|------------|-------------|-------------|-------------|
| 1.1 | Manufacturer (abbreviation) | | | Mitsubishi | Mitsubishi | Mitsubishi |
| 1.2 | Manufacturer's model designation | | | FB10KRT PAC | FB12KRT PAC | FB15KRT PAC |
| 1.3 | Power source: (battery, diesel, LP gas, petrol) | | | Battery | Battery | Battery |
| 1.4 | Operator type: pedestrian, (operator)-standing, -seated | | | Seated | Seated | Seated |
| 1.5 | Load capacity | Q | (kg) | 1.000 | 1.250 | 1.500 |
| 1.6 | Load centre distance | c | (mm) | 500 | 500 | 500 |
| 1.8 | Load distance, axle to fork face | x | (mm) | 330 | 330 | 330 |
| 1.9 | Wheelbase | y | (mm) | 1125 | 1125 | 1200 |
| Weight | | | | | | |
| 2.1 | Truck weight, without load / including battery (simplex mast, lowest lift height) | | kg | 2354 | 2569 | 2775 |
| 2.2 | Axle loading with maximum load, front/rear (simplex mast, lowest lift height) | | kg | 2857/497 | 3195/574 | 3731/544 |
| 2.3 | Axle loading without load, front/rear (simplex mast, lowest lift height) | | kg | 1119/1235 | 1109/1460 | 1194/1581 |
| Wheels, Drive Train | | | | | | |
| 3.1 | Tyres: V=solid, L=pneumatic, SE=solid pneumatic - front/rear | | | SE/SE | SE/SE | SE/SE |
| 3.2 | Tyre dimensions, front | | | 18 x 7-8 | 18 x 7-8 | 18 x 7-8 |
| 3.3 | Tyre dimensions, rear | | | 18 x 7-8 | 18 x 7-8 | 18 x 7-8 |
| 3.5 | Number of wheels, front/rear (x=driven) | | | 2/1x | 2/1x | 2/1x |
| 3.6 | Track width (centre of tyres), front | b10 | (mm) | 840 | 840 | 840 |
| 3.7 | Track width (centre of tyres), rear | b11 | (mm) | - | - | - |
| Dimensions | | | | | | |
| 4.1 | Mast tilt, forwards/backwards | α/β | $^{\circ}$ | 5/7 | 5/7 | 5/7 |
| 4.2 | Height with mast lowered (see tables) | h1 | (mm) | 2110 | 2110 | 2110 |
| 4.3 | Free lift (see tables) | h2 | (mm) | 80 | 80 | 80 |
| 4.4 | Lift height (see tables) | h3 | (mm) | 3300 | 3300 | 3300 |
| 4.5 | Overall height with mast raised | h4 | (mm) | 3895 | 3895 | 3895 |
| 4.7 | Height to top of overhead guard | h6 | (mm) | 2015(1965) | 2015(1965) | 2015(1965) |
| 4.8 | Seat height | h7 | (mm) | 928 | 928 | 928 |
| 4.12 | Tow coupling height | h10 | (mm) | 410 | 410 | 410 |
| 4.19 | Overall length | l1 | (mm) | 2500 | 2500 | 2575 |
| 4.20 | Length to fork face (includes fork thickness) | l2 | (mm) | 1700 | 1700 | 1775 |
| 4.21 | Overall width b1/b2 (mm) | b1/b2 | (mm) | 997 | 997 | 997 |
| 4.22 | Fork dimensions (thickness, width, length) | s / e / l | (mm) | 35x80x800 | 35x80x800 | 35x80x800 |
| 4.23 | Fork carriage to DIN 15 173 A/B/no | | | 2A | 2A | 2A |
| 4.24 | Fork carriage width | b3 | (mm) | 920 | 920 | 920 |
| 4.31 | Ground clearance under mast, with load | m1 | (mm) | 80 | 80 | 80 |
| 4.32 | Ground clearance at centre of wheelbase, with load (forks lowered) | m2 | (mm) | 100 | 100 | 100 |
| 4.33 | Working aisle width with 1000 x1200 mm pallets, crosswise | Ast | (mm) | 3030 | 3030 | 3104 |
| 4.34 | Working aisle width with 800 x1200 mm pallets, crosswise | Ast | (mm) | 2850 | 2850 | 2925 |
| 4.35 | Turning circle radius | Wa | (mm) | 1370 | 1370 | 1445 |
| 4.36 | Minimum distance between centres of rotation | b13 | (mm) | 0 | 0 | 0 |
| Performance | | | | | | |
| 5.1 | Travel speed, with/without load | | km/h | 11.5/13.5 | 11.2/13 | 11/12.5 |
| 5.2 | Lifting speed, with/without load | | m/s | 0.29/0.48 | 0.27/0.48 | 0.26/0.48 |
| 5.3 | Lowering speed, with/without load | | m/s | 0.52/0.50 | 0.52/0.50 | 0.52/0.50 |
| 5.5 | Rated drawbar pull, with/without load | | N | 1706/1991 | 1569/1937 | 1435/1876 |
| 5.6 | Maximum drawbar pull, with/without load (5 min short duty) | | N | 5327/5621 | 5190/5558 | 5056/5497 |
| 5.7 | Gradeability, with/without load | | % | 9.6/15.1 | 8.1/13.6 | 6.9/12.3 |
| 5.8 | Maximum gradeability, with/without load | | % | 16.4/25.1 | 14.0/22.6 | 12.2/20.6 |
| 5.9 | Acceleration time (10 metres) with/without load | | s | 5.9/5.6 | 6.0/5.7 | 6.1/5.7 |
| 5.10 | Service brakes (mechanical/hydraulic/electric/pneumatic) | | | Hydraulic | Hydraulic | Hydraulic |
| Electric motors | | | | | | |
| 6.1 | Drive motor capacity (60 min. short duty) | | kW | 5 | 5 | 5 |
| 6.2 | Lift motor output at 15% duty factor | | kW | 6.5 | 6.5 | 6.5 |
| 6.3 | Battery to DIN 43 531/35/36 A/B/C/no | | | 43 535A | 43 535A | 43 535A |
| 6.4 | Battery voltage/capacity at 5-hour discharge | | V /Ah | 24 / 720 | 24 / 720 | 24 / 840 |
| 6.5 | Battery weight | | kg | 524 | 524 | 600 |
| 6.6 | Energy consumption according to VDI 60 cycle | | kWh/h | - | - | - |
| Miscellaneous | | | | | | |
| 8.1 | Type of drive control | | | Impuls / AC | Impuls / AC | Impuls / AC |
| 8.2 | Maximum operating pressure for attachments | | bar | 143 | 143 | 143 |
| 8.3 | Oil flow for attachments | | l/min | - | - | - |
| 8.4 | Noise level, value at operator's ear (EN 12053) | | dB(A) | 60.7 | 60.7 | 60.7 |
| 8.5 | Towing coupling design / DIN type, ref. | | | - | - | - |

- Ast = $Wa + x + R + a$
- Ast = Working aisle width
- Wa = Turning radius
- a = Safety clearance = 2 x 100 mm
- R = $\sqrt{(l6 + x)^2 + (b12 / 2)^2}$
- l6 = Pallet length (800 or 1000 mm)
- b12 = Pallet width (1200 mm)



2. NOISE AND VIBRATIONS

| NOISE AT OPERATORS EAR (EN12053) | | SURROUNDING NOISE Lpaz (2000/14) | | VIBRATIONS (EN13059) | |
|----------------------------------|-------------------|----------------------------------|-------------------|----------------------|---|
| | Noise level dB(A) | | Noise level dB(A) | | Vibration level at operators seat [m/s ²] |
| 10KRT PAC | 60,7 | 10KRT PAC | | 10KRT PAC | <1,4 |
| 12KRT PAC | | | | | |
| 15KRT PAC | | | | | |

3. MAST AVAILABILITY CHART

● Available option
 ○ Standard equippe d
 E Available, option may extend lead time (contact CSM department)

| | | 10 KRT PAC | 12 KRT PAC | 15 KRT PAC |
|--|------------|------------|------------|------------|
| Masts | | | | |
| Special Mast (several required height) | On request | E | E | E |
| Strengthened Mast | On request | E | E | E |
| Simplex | 2SP300 | ● | ● | ● |
| | 2SP330 | ● | ● | ● |
| | 2SP370 | ● | ● | ● |
| | 2SP410 | ● | ● | ● |
| | 2SP450 | ● | ● | ● |
| | 2SP500 1) | ● | ● | ● |
| | 2SP550 1) | ● | ● | ● |
| | 2SP600 1) | ● | ● | ● |
| Duplex | 2FP300 | ● | ● | ● |
| | 2FP330 | ● | ● | ● |
| | 2FP370 | ● | ● | ● |
| | 2FP400 | ● | ● | ● |
| Triplex | 3FP370 | ● | ● | ● |
| | 3FP400 | ● | ● | ● |
| | 3FP430 | ● | ● | ● |
| | 3FP480 | ● | ● | ● |
| | 3FP510 | ● | ● | ● |
| | 3FP550 1) | ● | ● | ● |
| | 3FP560 1) | ● | ● | ● |
| | 3FP600 1) | ● | ● | ● |

1) Wide Tread Tires (US/US/WT) in combination with this mast height are recommended

4.

4. OPTION AVAILABILITY CHART

● Available option
 ○ Standard equipped
 E Available, option may extend lead time (contact CSM department)

Refer to the Option Manual for option specifications

| | | | 10KRT PAC | 12KRT PAC | 15KRT PAC |
|--|-----------------------------|------------|-----------|-----------|-----------|
| CARRIAGES | | | | | |
| Backrest Deletion | | BRX | ● | ● | ● |
| HYDRAULIC VALVES | | | | | |
| 2-Way Valve for Manual Control | | | ○ | ○ | ○ |
| 3-Way Valve for Manual Control | 3V/MC | 1) | ● | ● | ● |
| 4-Way Valve for Manual Control | 4V/MC | 2) | ● | ● | ● |
| PIPING FOR HYDRAULICS | | | | | |
| 3 - Way Piping | Simplex Masts | 3V/PS | ● | ● | ● |
| | Duplex Masts | 3V/PD | ● | ● | ● |
| | Triplex Masts | 3V/PT | ● | ● | ● |
| 4 - Way Piping | 3 Way Attachment on chassis | 3VATT | ● | ● | ● |
| | Simplex Masts | 4V/PS | ● | ● | ● |
| | Duplex Masts | 4V/PD | ● | ● | ● |
| | Triplex Masts | 4V/PT | ● | ● | ● |
| | 4 Way Attachment on chassis | 4VATT | ● | ● | ● |
| ELECTRICAL SYSTEM | | | | | |
| SBE Connector for 24 V battery | | SB24B | ● | ● | ● |
| SBE Connector for 24 V charger | | SB24C | ● | ● | ● |
| Road Light Kit (24 V) | | RLDC | ● | ● | ● |
| Worklight deletion | | LDCX | ● | ● | ● |
| Traction motor cooling fan | | TROPTR | E | E | E |
| Amber Strobe | | STRB | ● | ● | ● |
| Key code pad | | PCSM195 | E | E | E |
| FRAME AND BODY | | | | | |
| Full Suspension Vinyl Seat with Seat Belt and Switch | | SEAT/F | ○ | ○ | ○ |
| Wide View Mirror | | WVM | ● | ● | ● |
| Special color for chassis only | | SP/CLR FR | E | E | E |
| Chassis and headguard in a special Color | | SP/CLR HG | E | E | E |
| Biodegradable Hydraulic Oil (+ Filter) | | PCSM048 | E | E | E |
| Swivel Plate Seat(Mech lock) | | PCSM049 | E | E | E |
| Hydraulic Accumulator (0.6 liter) | | PCSM052 | E | E | E |
| External mirror left | | PCSM192 | E | E | E |
| External mirror right | | PCSM193 | E | E | E |
| SPECIAL TREATMENT | | | | | |
| Explosion Proof Modification | | On Request | E | E | E |

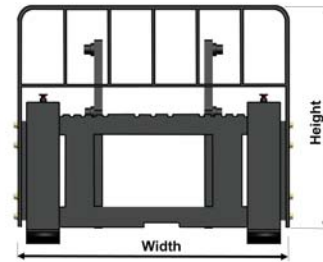
NOTE:

- 1) Requires Piping for 3-Way Hydraulic Supply Group.
- 2) Requires Piping for 4-Way Hydraulic Supply Group.
- 3) Requires 4-Way Valve.
- 4) Rear: 2 brake lights, direction indicators tail and backup light
/ Front: Front lights, Direction indicators.

- 5) Please inform RAL colour number

5. FORKS AND CARRIAGES

| | Width | Thickness | Length | | | | | | |
|-----------|-------|-----------|--------|------|-------|-------|-------|-------|-------|
| | | | L800 | L900 | L1000 | L1100 | L1150 | L1200 | L1400 |
| 10KRT PAC | 80 | 35 | ● | | | | | | |
| 12KRT PAC | 100 | 35 | | ● | ● | ● | ● | ● | ● |
| 15KRT PAC | | | | | | | | | |



Refer to the Option Manual for option specifications

| | | 10KRT PAC | 12KRT PAC | 15KRT PAC |
|--------------------------------|-------------|-----------|-----------|-----------|
| width (mm) | height (mm) | 965 | 965 | 965 |
| STANDARD CARRIAGES | | | | |
| 920 | | 0 | 0 | 0 |
| HOOK ON SIDE SHIFTER | | | | |
| 920 | SS092 1) | ● | ● | ● |
| INTEGRAL SIDE SHIFTER | | | | |
| 920 | INSS092 1) | ● | ● | ● |
| HOOK ON FORK POSITIONER | | | | |
| Cascade W Forks | PCSM184 1) | E | E | E |
| Cascade W Adapters | PCSM185 1) | E | E | E |

NOTE: 1) Requires 3-Way hydraulic supply group; specify model

6 . WHEELS

| Solid Pneumatic (SE) | | Tyre size | Rim type | SE | Wide Tread | Non Marking (White) | Wide Tread Non Marking (White) |
|----------------------|-------|-----------|-----------|----|------------|------------------------|--------------------------------------|
| 10KRT PAC | Front | 18x7-8 | Side-ring | O | ● | ● | ● |
| 12KRT PAC | | | | | | | |
| 15KRT PAC | Rear | 18x7-8 | Side-ring | O | ● | ● | ● |

7 . GROUND PRESSURE

| | | With load [kg/cm ²] | Without load [kg/cm ²] |
|-----------|-------|------------------------------------|---------------------------------------|
| 10KRT PAC | Front | 12,1 | |
| | Rear | | 10,7 |
| 12KRT PAC | Front | 12,9 | |
| | Rear | | 12,0 |
| 15KRT PAC | Front | 14,0 | |
| | Rear | | 12,5 |

8 . BATTERY DIMENSIONS

| Model | Compartment dimensions | | | Container dimensions | | | | Battery weight | | Voltage (Volt) | Capacity (Ah/5h) | Connector acc. to EEC 86/663 add. C |
|-----------|------------------------|-----------|-----------|----------------------|-----------|------------|------------|----------------|--------------|-------------------|---------------------|---|
| | l (mm) | w (mm) | h (mm) | l (mm) | w (mm) | h1 (mm) | h2 (mm) | Min. (kg) | Max. (kg) | | | |
| 10KRT PAC | 391 | 840 | 650 | 381 | 830 | 612 | 627 | 445 | 550 | 24 | 750 | SBE 320 RED |
| 12KRT PAC | | | | | | | | | | | | |
| 15KRT PAC | 445 | 840 | 650 | 435 | 830 | 612 | 627 | 524 | 630 | 24 | 875 | SBE 320 RED |

9. BATTERIES AND CHARGERS COMBINATION

| Exide (GNB) | | | | | | | | |
|------------------------|---------|-----------|-----|-----------|------------------------|-------|-----|-----------|
| Model | Battery | | | | Charger | | | |
| | Wet | Code | Dry | Code | 12 hour | Phase | Amp | Code |
| 10KRT PAC 12KRT PAC | 750 | BW24/750E | 750 | BD24/750E | Standard | 3 | 120 | CH24/120E |
| | | | | | High Frequency | 1 | 70 | CH24P070E |
| | | | | | High Freq. + Air circ. | 1 | 70 | CH24A070E |
| 15KRT PAC | 875 | BW24/875E | 875 | BD24/875E | Standard | 3 | 140 | CH24/140E |
| | | | | | High Frequency | 1 | 80 | CH24P080E |
| | | | | | High Freq. + Air circ. | 1 | 80 | CH24A080E |

| Model | Battery | | | | Charger | | | |
|------------------------|---------|-----------|-----|-----------|------------------------|-------|-----|-----------|
| | Wet | Code | Dry | Code | 8 hour | Phase | Amp | Code |
| 10KRT PAC 12KRT PAC | 750 | BW24/750E | 750 | BD24/750E | Regulated | 3 | 100 | CH24/100E |
| | | | | | High Freq. + Air circ. | 1 | 100 | CH24A100E |
| 15KRT PAC | 875 | BW24/875E | 875 | BD24/875E | Regulated | 3 | 110 | CH24/110E |
| | | | | | High Frequency | 3 | 110 | CH24P110E |
| | | | | | High Freq. + Air circ. | 3 | 110 | CH24A110E |

| Model | Battery | | | | Charger | | | |
|------------------------|---------|-----------|-----|-----------|------------------------|-------|-----|-----------|
| | Wet | Code | Dry | Code | 6 hour | Phase | Amp | Code |
| 10KRT PAC 12KRT PAC | 750 | BW24/750E | 750 | BD24/750E | High Freq. + Air circ. | 1 | 140 | CH24A140E |
| | | | | | | | | |
| 15KRT PAC | 875 | BW24/875E | 875 | BD24/875E | | | | |

| Hoppecke | | | | | | | | |
|------------------------|---------|-----------|-----|-----------|------------------------|-------|-----|-----------|
| Model | Battery | | | | Charger | | | |
| | WET | Code | DRY | Code | 12 hour | Phase | Amp | Code |
| 10KRT PAC 12KRT PAC | 750 | BW24/750H | 750 | BD24/750H | Standard | 3 | 110 | CT24/110H |
| | | | | | High Freq. Pulse | 1 | 70 | CT24P070H |
| | | | | | High Freq. + Air circ. | 1 | 60 | CT24A060H |
| 15KRT PAC | 875 | BW24/875H | 875 | BD24/875H | Standard | 3 | 125 | CT24/125H |
| | | | | | High Freq. Pulse | 1 | 75 | CT24P075H |
| | | | | | High Freq. + Air circ. | 1 | 75 | CT24A070H |

All Hoppecke chargers are Tropical protected

| Model | Battery | | | | Charger | | | |
|------------------------|---------|-----------|-----|-----------|------------------------|-------|-----|-----------|
| | WET | Code | DRY | Code | 8 hour | Phase | Amp | Code |
| 10KRT PAC 12KRT PAC | 750 | BW24/750H | 750 | BD24/750H | Standard | 3 | 160 | CT24/160H |
| | | | | | High Freq. Pulse | 3 | 100 | CT24P100H |
| | | | | | High Freq. + Air circ. | 3 | 90 | CT24A090H |
| 15KRT PAC | 875 | BW24/875H | 875 | BD24/875H | Standard | 3 | 185 | CT24/185H |
| | | | | | High Freq. Pulse | 3 | 115 | CT24P115H |
| | | | | | High Freq. + Air circ. | 3 | 105 | CT24A105H |

All Hoppecke chargers are Tropical protected

| Model | Battery | | | | Charger | | | |
|------------------------|---------|-----------|-----|-----------|------------------------|-------|-----|-----------|
| | WET | Code | DRY | Code | 6 hour | Phase | Amp | Code |
| 10KRT PAC 12KRT PAC | 750 | BW24/750H | 750 | BD24/750H | High Freq. + Air circ. | 3 | 120 | CH24A120H |
| | | | | | | | | |
| 15KRT PAC | 875 | BW24/875H | 875 | BD24/875H | High Freq. + Air circ. | 3 | 140 | CT24A140H |

All Hoppecke chargers are Tropical protected

10. MAST CAPACITY CHARTS

| 10KRT PAC | | | | | Standard Forks | | | | Hang on Side Shifter | | | | Integral Side Shifter | | | |
|----------------|------|------------------|---------------------|------------|----------------|-------------------|-----|-------------------|----------------------|-------------------|-----|-------------------|-----------------------|-------------------|-----|-------------------|
| h3 | h1 | h4 ¹⁾ | h2/h5 ²⁾ | Tilt angle | Single drive | | | | Single drive | | | | Single drive | | | |
| | | | | | Solid | | | | Solid | | | | Solid | | | |
| | | | | | 500 | 500 | 600 | 600 | 500 | 500 | 600 | 600 | 500 | 500 | 600 | 600 |
| mm | mm | mm | mm | Deg | kg | kg | kg | kg | kg | kg | kg | kg | kg | kg | kg | |
| Simplex | | | | | | | | | | | | | | | | |
| 2000 | 1460 | 3045 | 80 | 5-7 | 1000 | 1000 | | | 1000 | 1000 | | | 1000 | 1000 | | |
| 2560 | 1740 | 3605 | 80 | 5-7 | 1000 | 1000 | | | 1000 | 950 | | | 1000 | 1000 | | |
| 2760 | 1840 | 3805 | 80 | 5-7 | 1000 | 1000 | | | 1000 | 950 | | | 1000 | 1000 | | |
| 3000 | 1960 | 4045 | 80 | 5-7 | 1000 | 1000 | | | 1000 | 900 | | | 1000 | 950 | | |
| 3290 | 2105 | 4335 | 80 | 5-7 | 1000 | 950 | | | 1000 | 900 | | | 1000 | 950 | | |
| 3720 | 2365 | 4765 | 80 | 5-7 | 1000 | 950 | | | 950 | 850 | | | 1000 | 900 | | |
| 4090 | 2550 | 5135 | 80 | 5-7 | 950 | 900 | | | 900 | 800 | | | 950 | 850 | | |
| 4480 | 2755 | 5525 | 80 | 5-7 | 950 | 850 | | | 850 | 800 | | | 900 | 850 | | |
| 5000 | 3015 | 6045 | 80 | 5-7 | 850 | 800 | | | 800 | 750 | | | 850 | 800 | | |
| 5500 | 3265 | 6545 | 80 | 5-5 | 850 | 750 | | | 750 | 700 | | | 800 | 750 | | |
| 6000 | 3515 | 7045 | 80 | 5-5 | 450 | 800 ³⁾ | 450 | 750 ³⁾ | 450 | 700 ³⁾ | 450 | 650 ³⁾ | 450 | 750 ³⁾ | 450 | 700 ³⁾ |
| Duplex | | | | | | | | | | | | | | | | |
| 3000 | 1960 | 4045 | 915 | 5-5 | 1000 | 1000 | | | 1000 | 900 | | | 1000 | 950 | | |
| 3295 | 2105 | 4340 | 1060 | 5-5 | 1000 | 950 | | | 1000 | 900 | | | 1000 | 950 | | |
| 3700 | 2365 | 4745 | 1320 | 5-5 | 1000 | 950 | | | 950 | 850 | | | 1000 | 900 | | |
| 4030 | 2550 | 5075 | 1505 | 5-5 | 950 | 900 | | | 900 | 800 | | | 950 | 850 | | |
| Triplex | | | | | | | | | | | | | | | | |
| 3710 | 1760 | 4755 | 715 | 5-5 | 1000 | 900 | | | 900 | 850 | | | 950 | 900 | | |
| 4010 | 1860 | 5055 | 815 | 5-5 | 950 | 900 | | | 900 | 800 | | | 950 | 850 | | |
| 4310 | 1960 | 5355 | 915 | 5-5 | 950 | 850 | | | 850 | 800 | | | 900 | 850 | | |
| 4750 | 2105 | 5795 | 1060 | 5-5 | 900 | 850 | | | 800 | 750 | | | 850 | 800 | | |
| 5090 | 2225 | 6135 | 1180 | 5-5 | 850 | 800 | | | 800 | 750 | | | 850 | 750 | | |
| 5490 | 2365 | 6535 | 1320 | 5-5 | 800 | 750 | | | 750 | 700 | | | 800 | 750 | | |
| 5990 | 2550 | 7035 | 1505 | 5-3 | 800 | 700 | | | 700 | 650 | | | 750 | 700 | | |
| 6490 | 2810 | 7535 | 1765 | 5-3 | 550 | 750 ³⁾ | 550 | 700 ³⁾ | 500 | 650 ³⁾ | 500 | 650 ³⁾ | 500 | 700 ³⁾ | 500 | 650 ³⁾ |
| 7000 | 3015 | 8045 | 1970 | 5-3 | 300 | 600 ³⁾ | 300 | 600 ³⁾ | 200 | 550 ³⁾ | 200 | 550 ³⁾ | 250 | 550 ³⁾ | 250 | 550 ³⁾ |

¹⁾ The h4 dimension without Load Backrest will decrease with 442 mm
²⁾ The h5 dimension without Load Backrest will increase with 442 mm
³⁾ The capacity with the Wide Tread Option: the overall width changes from 997mm to 1067mm

| 12KRT PAC | | | | | Standard Forks | | | | Hang on Side Shifter | | | | Integral Side Shifter | | | |
|----------------|------|------------------|---------------------|------------|----------------|--------------------|-----|--------------------|----------------------|--------------------|-----|-------------------|-----------------------|--------------------|-----|-------------------|
| h3 | h1 | h4 ¹⁾ | h2/h5 ²⁾ | Tilt angle | Single drive | | | | Single drive | | | | Single drive | | | |
| | | | | | Solid | | | | Solid | | | | Solid | | | |
| | | | | | 500 | 500 | 600 | 600 | 500 | 500 | 600 | 600 | 500 | 500 | 600 | 600 |
| mm | mm | mm | mm | Deg | kg | kg | kg | kg | kg | kg | kg | kg | kg | kg | kg | |
| Simplex | | | | | | | | | | | | | | | | |
| 2000 | 1460 | 3045 | 80 | 5-7 | 1250 | 1250 | | | 1250 | 1250 | | | 1250 | 1250 | | |
| 2560 | 1740 | 3605 | 80 | 5-7 | 1250 | 1250 | | | 1250 | 1200 | | | 1250 | 1250 | | |
| 2760 | 1840 | 3805 | 80 | 5-7 | 1250 | 1250 | | | 1250 | 1150 | | | 1250 | 1200 | | |
| 3000 | 1960 | 4045 | 80 | 5-7 | 1250 | 1200 | | | 1250 | 1150 | | | 1250 | 1200 | | |
| 3290 | 2105 | 4335 | 80 | 5-7 | 1250 | 1200 | | | 1200 | 1100 | | | 1250 | 1150 | | |
| 3720 | 2365 | 4765 | 80 | 5-7 | 1250 | 1150 | | | 1150 | 1050 | | | 1200 | 1100 | | |
| 4090 | 2550 | 5135 | 80 | 5-7 | 1200 | 1100 | | | 1100 | 1000 | | | 1150 | 1050 | | |
| 4480 | 2755 | 5525 | 80 | 5-7 | 1150 | 1050 | | | 1050 | 1000 | | | 1100 | 1050 | | |
| 5000 | 3015 | 6045 | 80 | 5-7 | 900 | 1100 ³⁾ | 900 | 1000 ³⁾ | 950 | 1000 ³⁾ | 950 | 950 ³⁾ | 900 | 1050 ³⁾ | 900 | 950 ³⁾ |
| 5500 | 3265 | 6545 | 80 | 5-5 | 900 | 1050 ³⁾ | 900 | 950 ³⁾ | 900 | 950 ³⁾ | 900 | 900 ³⁾ | 850 | 1000 ³⁾ | 850 | 950 ³⁾ |
| 6000 | 3515 | 7045 | 80 | 5-5 | 500 | 850 ³⁾ | 500 | 850 ³⁾ | 500 | 900 ³⁾ | 500 | 850 ³⁾ | 500 | 850 ³⁾ | 500 | 850 ³⁾ |
| Duplex | | | | | | | | | | | | | | | | |
| 3000 | 1960 | 4045 | 915 | 5-5 | 1250 | 1200 | | | 1250 | 1150 | | | 1250 | 1200 | | |
| 3295 | 2105 | 4340 | 1060 | 5-5 | 1250 | 1200 | | | 1200 | 1100 | | | 1250 | 1150 | | |
| 3700 | 2365 | 4745 | 1320 | 5-5 | 1250 | 1150 | | | 1150 | 1050 | | | 1200 | 1100 | | |
| 4030 | 2550 | 5075 | 1505 | 5-5 | 1200 | 1100 | | | 1100 | 1000 | | | 1150 | 1050 | | |
| Triplex | | | | | | | | | | | | | | | | |
| 3710 | 1760 | 4755 | 715 | 5-5 | 1250 | 1150 | | | 1150 | 1050 | | | 1200 | 1100 | | |
| 4010 | 1860 | 5055 | 815 | 5-5 | 1200 | 1100 | | | 1100 | 1000 | | | 1150 | 1050 | | |
| 4310 | 1960 | 5355 | 915 | 5-5 | 1150 | 1050 | | | 1100 | 1000 | | | 1150 | 1050 | | |
| 4750 | 2105 | 5795 | 1060 | 5-5 | 1100 | 1050 | | | 1050 | 950 | | | 1100 | 1000 | | |
| 5090 | 2225 | 6135 | 1180 | 5-5 | 1100 | 1000 | | | 1000 | 900 | | | 1050 | 950 | | |
| 5490 | 2365 | 6535 | 1320 | 5-5 | 900 | 1050 ³⁾ | 900 | 950 ³⁾ | 900 | 950 ³⁾ | 900 | 950 ³⁾ | 850 | 1000 ³⁾ | 850 | 900 ³⁾ |
| 5990 | 2550 | 7035 | 1505 | 5-3 | 950 | 1000 ³⁾ | 900 | 900 ³⁾ | 900 | 900 ³⁾ | 850 | 850 ³⁾ | 900 | 950 ³⁾ | 900 | 900 ³⁾ |
| 6490 | 2810 | 7535 | 1765 | 5-3 | 600 | 900 ³⁾ | 600 | 850 ³⁾ | 550 | 850 ³⁾ | 550 | 800 ³⁾ | 550 | 900 ³⁾ | 550 | 850 ³⁾ |
| 7000 | 3015 | 8045 | 1970 | 5-3 | 350 | 650 ³⁾ | 350 | 650 ³⁾ | 300 | 600 ³⁾ | 300 | 600 ³⁾ | 300 | 600 ³⁾ | 300 | 600 ³⁾ |

¹⁾ The h4 dimension without Load Backrest will decrease with 442 mm
²⁾ The h5 dimension without Load Backrest will increase with 442 mm
³⁾ The capacity with the Wide Tread Option: the overall width changes from 997mm to 1067mm

5-

| 15KRT PAC | | | | | Standard Forks | | | | Hang on Side Shifter | | | | Integral Side Shifter | | | |
|----------------|------|------------------|---------------------|------------|----------------|--------------------|------|--------------------|----------------------|--------------------|------|--------------------|-----------------------|--------------------|------|--------------------|
| h3 | h1 | h4 ¹⁾ | h2/h5 ²⁾ | Tilt angle | Single drive | | | | Single drive | | | | Single drive | | | |
| | | | | | Solid | | | | Solid | | | | Solid | | | |
| | | | | | 500 | 500 | 600 | 600 | 500 | 500 | 600 | 600 | 500 | 500 | 600 | 600 |
| mm | mm | mm | mm | Deg | kg | kg | kg | kg | kg | kg | kg | kg | kg | kg | kg | |
| Simplex | | | | | | | | | | | | | | | | |
| 2000 | 1460 | 3045 | 80 | 5-7 | 1500 | | 1500 | | 1500 | | 1500 | | 1500 | | 1500 | |
| 2560 | 1740 | 3605 | 80 | 5-7 | 1500 | | 1500 | | 1500 | | 1400 | | 1500 | | 1500 | |
| 2760 | 1840 | 3805 | 80 | 5-7 | 1500 | | 1500 | | 1500 | | 1400 | | 1500 | | 1450 | |
| 3000 | 1960 | 4045 | 80 | 5-7 | 1500 | | 1450 | | 1500 | | 1350 | | 1500 | | 1400 | |
| 3290 | 2105 | 4335 | 80 | 5-7 | 1500 | | 1450 | | 1450 | | 1350 | | 1500 | | 1400 | |
| 3720 | 2365 | 4765 | 80 | 5-7 | 1500 | | 1400 | | 1400 | | 1300 | | 1450 | | 1350 | |
| 4090 | 2550 | 5135 | 80 | 5-7 | 1450 | | 1350 | | 1350 | | 1250 | | 1400 | | 1300 | |
| 4480 | 2755 | 5525 | 80 | 5-7 | 1400 | | 1300 | | 1300 | | 1200 | | 1350 | | 1250 | |
| 5000 | 3015 | 6045 | 80 | 5-7 | 1000 | 1350 ³⁾ | 1000 | 1200 ³⁾ | 1050 | 1250 ³⁾ | 1050 | 1150 ³⁾ | 1000 | 1300 ³⁾ | 1000 | 1200 ³⁾ |
| 5500 | 3265 | 6545 | 80 | 5-5 | 950 | 1250 ³⁾ | 950 | 1150 ³⁾ | 950 | 1150 ³⁾ | 950 | 1100 ³⁾ | 950 | 1250 ³⁾ | 950 | 1150 ³⁾ |
| 6000 | 3515 | 7045 | 80 | 5-5 | 600 | 950 ³⁾ | 600 | 950 ³⁾ | 550 | 950 ³⁾ | 550 | 950 ³⁾ | 550 | 950 ³⁾ | 550 | 950 ³⁾ |
| Duplex | | | | | | | | | | | | | | | | |
| 3000 | 1960 | 4045 | | 915 5-5 | 1500 | | 1450 | | 1500 | | 1350 | | 1500 | | 1400 | |
| 3295 | 2105 | 4340 | | 1060 5-5 | 1500 | | 1450 | | 1450 | | 1350 | | 1500 | | 1400 | |
| 3700 | 2365 | 4745 | | 1320 5-5 | 1500 | | 1400 | | 1400 | | 1300 | | 1450 | | 1350 | |
| 4030 | 2550 | 5075 | | 1505 5-5 | 1450 | | 1350 | | 1350 | | 1250 | | 1400 | | 1300 | |
| Triplex | | | | | | | | | | | | | | | | |
| 3710 | 1760 | 4755 | | 715 5-5 | 1500 | | 1350 | | 1400 | | 1250 | | 1450 | | 1350 | |
| 4010 | 1860 | 5055 | | 815 5-5 | 1450 | | 1350 | | 1350 | | 1250 | | 1400 | | 1300 | |
| 4310 | 1960 | 5355 | | 915 5-5 | 1400 | | 1300 | | 1300 | | 1200 | | 1350 | | 1250 | |
| 4750 | 2105 | 5795 | | 1060 5-5 | 1350 | | 1250 | | 1250 | | 1150 | | 1300 | | 1200 | |
| 5090 | 2225 | 6135 | | 1180 5-5 | 1300 | | 1200 | | 1200 | | 1150 | | 1250 | | 1200 | |
| 5490 | 2365 | 6535 | | 1320 5-5 | 950 | 1250 ³⁾ | 950 | 1150 ³⁾ | 950 | 1150 ³⁾ | 1100 | | 950 | 1200 ³⁾ | 950 | 1150 ³⁾ |
| 5990 | 2550 | 7035 | | 1505 5-3 | 1000 | 1200 ³⁾ | 1000 | 1100 ³⁾ | 1000 | 1100 ³⁾ | 1050 | | 950 | 1150 ³⁾ | 950 | 1100 ³⁾ |
| 6490 | 2810 | 7535 | | 1765 5-3 | 650 | 1050 ³⁾ | 650 | 1050 ³⁾ | 600 | 1050 ³⁾ | 600 | 1000 ³⁾ | 600 | 1050 ³⁾ | 600 | 1000 ³⁾ |
| 7000 | 3015 | 8045 | | 1970 5-3 | 400 | 700 ³⁾ | 400 | 700 ³⁾ | 350 | 650 ³⁾ | 350 | 650 ³⁾ | 350 | 650 ³⁾ | 350 | 650 ³⁾ |

¹⁾ The h4 dimension without Load Backrest will decrease with 442 mm
²⁾ The h5 dimension without Load Backrest will increase with 442 mm
³⁾ The capacity with the Wide Tread Option: the overall width changes from 997mm to 1067mm